

AUTODRAIN CIRCUIT BOARD REPLACEMENT KIT

Please read complete instructions before replacing components.

Parts Included

Your kit will include the following:

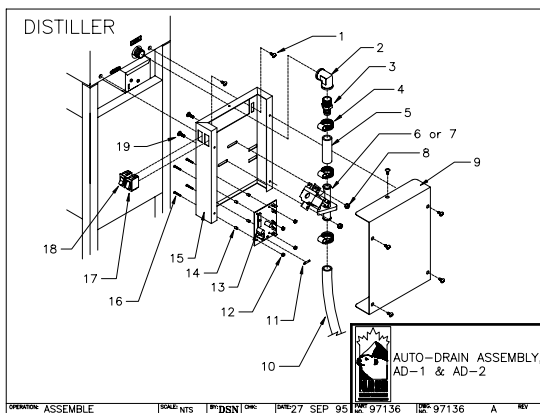
Part #	Qty	Description
100231	1	CIRCUITBOARD,AUTODRAIN,110-220

Tools Required

Red Robertson Screwdriver
Standard Screwdriver
Needle Nose Pliers
Water Pump Pliers

Assembly Instructions

1. Turn your distiller main power off. Drain the boiling tank by pressing the momentary drain switch on your autodrain. Unplug the power cord on your distiller and wait at least 1 hour for it to cool.
2. Using the Robertson screwdriver, remove the screws on the autodrain cover(9) and remove cover.



3. Unplug the autodrain from the distiller.
4. Remove the top hose clamp(4) from the barbed fitting(3) and slide hose (5) off fitting.
5. Remove the screws (1) attaching the autodrain to the distiller and remove the autodrain.
6. Using a flat screwdriver, remove the keystone nuts(12) attaching the board(13) to the autodrain.
7. ONE WIRE AT A TIME, using the needle nose pliers, remove the wires from the old board and attach them to the new board. ENSURE THE WIRES ARE ATTACHED TO THE SAME LOCATION THEY WERE REMOVED FROM.
8. Attach the new circuit board to the autodrain. Install the autodrain on your distiller, reattach hoses and reattach hose clamps. Plug the autodrain cord into the distiller (NOTE THAT THE PLUG WILL ONLY FIT ONE WAY). Plug in and turn on distiller and turn on autodrain.

The autodrain should now function properly. If it does not, we suggest taking your distiller to an authorized service representative.